

HÖGFORS® Fig 311000

High Performance wafer butterfly valve in carbon steel DN80-600

The new Hogfors Fig 31100 is a double offset disc butterfly valve with a carbon filled ptfе or stainless steel seat,
Pressure rating depends on seat selection and size

PTFE seat (TS) DN80-350—25 bar
DN400-600-16 bar


Metal seated (CS) DN80-350 - 20 bar
DN400-600-16 bar

For steam duty specify 31101CS which is a special build with high temperature bearings

Face to face dimensions in accordance with ISO 5752, EN558-1 series 20 DIN 3202 K1

Flange compatibility

PN25/16/10 & ANSI class 150

Conforms to PED Class; Gas group 1  0409

Operator mounting flange in

accordance with ISO



Materials

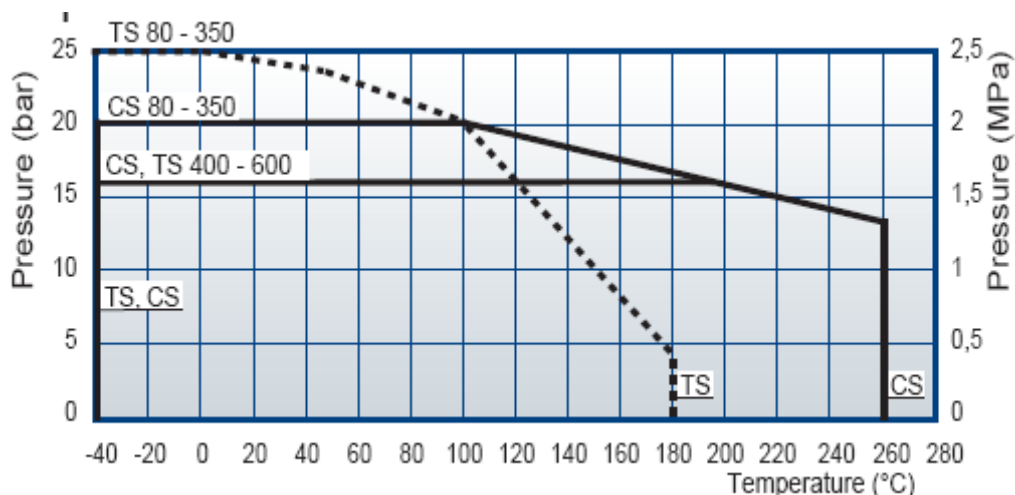
Body:	Cast carbon steel GP240GH/ WCB
Disc:	Stainless steel EN10213-4 1.4408, ASTM A351 CF8M
Shaft:	Stainless steel EN10088-3 1.4460
Disc seal:	Stainless steel AISI 316/ PTFE+C
Shaft seal:	Graphite /FPM

Disc seal alternatives AISI 316, PTFE+C

Temperature and tightness class

AISI 316 max +260°C/ min -40°C
ISO5208, EN 12266-1 RATE B

PTFE max +180°C/ min -40°C
ISO5208, EN 12266-1 RATE A



CeeVee Ltd

31100

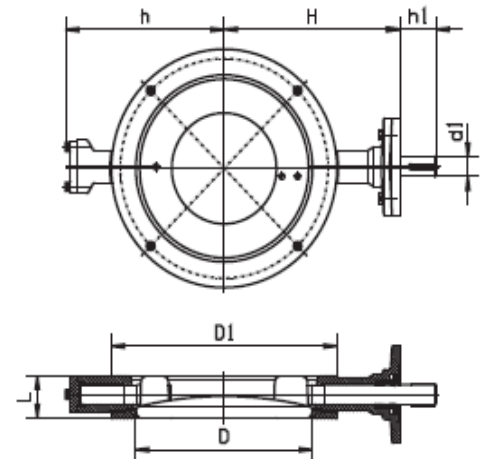
Butterfly valve of carbon steel
DN 80 - 600

17.01.2006

Dimensions

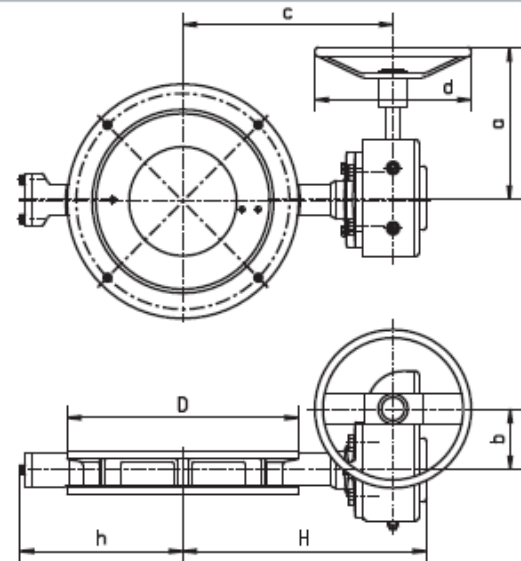
DN	L	D1	D	h	H	h1	d1	Flange ISO5211	Weight kg
80	46	138	72	114	144	45	15	F07	6,5
100	52	158	89	131	168	52	20	F07	7,0
125	56	188	113	143	179	52	20	F07	8,7
150	56	212	137	160	199	58	25	F10	13
200	60	268	187	200	224	58	25	F12	29*
250	68	320	238	232	269	63	30	F12	38*
300	78	370	286	275	308	69	35	F14	54*
350	78	430	337	303	335	69	35	F14	67*
400	102	482	386	333	380	86	50	F16	118*
500	127	585	483	388	458	103	60	F16	198*
600	154	685	582	448	530	119	70	F25	337*

*) with manual gear



Manual gear

DN	L	D	h	H	a	b	c	d
80	46	138	114	204	218	45	171	200
100	52	158	131	228	218	45	195	200
125	56	188	143	239	218	45	206	200
150	56	212	160	286	220	71	240	200
200	60	268	200	311	220	71	265	200
250	68	320	232	356	255	71	310	300
300	78	370	275	398	291	86	350	400
350	78	430	303	425	291	86	377	400
400	102	482	333	501	387	130	435	500
500	127	585	388	579	387	130	513	500
600	154	685	448	689	500	263	589	500



Hogfors manufacture a wide range of ptfе and metal seated butterfly valves including stainless steel wafer pattern and carbon and stainless Steel valves with butt weld ends in sizes up to 600mm



CeeVee Ltd

Tel 01453 821666 E mail sales@cee-vee.co.uk Fax 01453 822298