

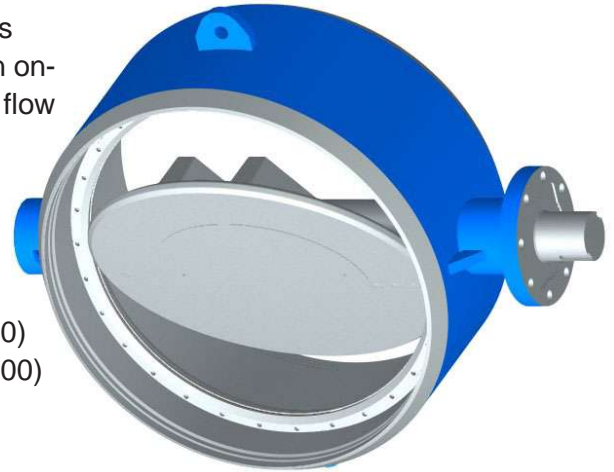
**31300G5** Butterfly valve of carbon steel  
DN 200 - 1400

06.02.2007

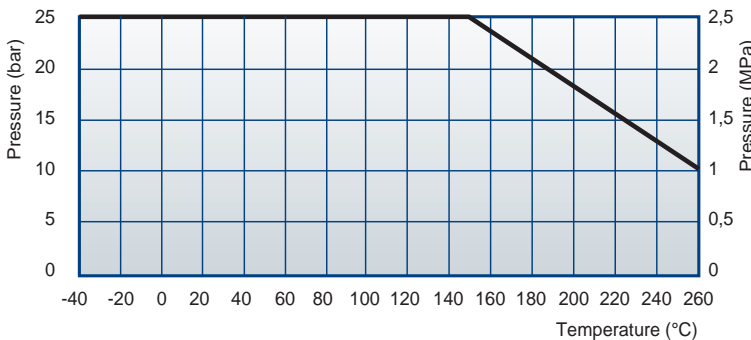
**Operation**

The welded butterfly valve 31300 with GOST weld ends is specially designed for district heating. It can be used as an on-off or control valve. Högfors butterfly valve is tight in both flow directions.

- Nominal pressure** 25 bar
- Closing pressure difference** 25 bar
- Tightness class** ISO 5208, EN 12266-1, RATE B
- Operating temperature**
  - max +260°C/ min -40°C (DN 200 - 1000)
  - max +260°C/ min -20°C (DN 1200 - 1400)



The max pressure difference depends on the working temperature



**Construction**

The body of the butterfly valve with GOST weld ends is carbon steel. The double eccentric disc and shafts are made of stainless steel. Replaceable seat ring is also stainless steel. The shaft packing box is a combination of graphite rings and O-rings which are possible to tighten and are also replaceable.

**Face-to face length:** EN 558-1 series 14

Conform with the requirements of the Council Directive 97/23/EC on Pressure Equipment, marking:

Class: Gas, group 1



- Nominal dimensions: DN 200 - 1400
- Product code:
  - 31300CS\_\_Z5 with bare shaft DN 200 - 300
  - 31300CS\_\_M5 with manual gear DN 200 - 300
  - 31300CS\_\_ZG5 with bare shaft DN 350 - 1000
  - 31300CS\_\_MG5 with manual gear DN 350 - 1000
  - 31300CS\_\_Z5 with bare shaft DN 1200 - 1400
  - 31300CS\_\_M5 with manual gear DN 1200 - 1400

**Materials**

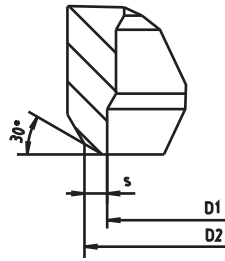
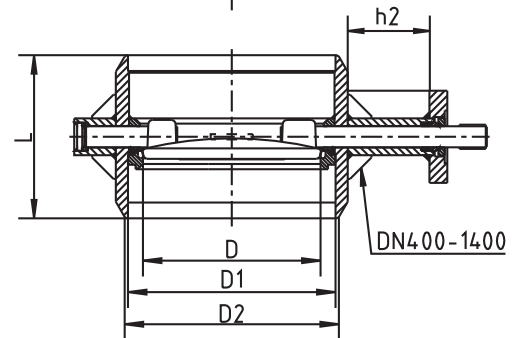
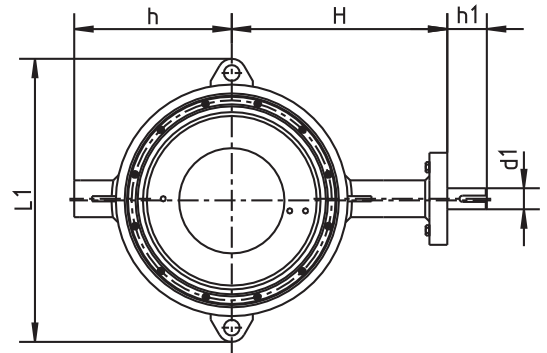
- Body: Carbon steel EN 10028-2 P265GH
- Disc: Stainless steel EN 10213-4 1.4408, ASTM A351 CF8M
- Shaft: Stainless steel EN 10088-3 1.4460
- Disc seal: Stainless steel
- Shaft seal: Graphite/ EPDM

**31300G5** Butterfly valve of carbon steel  
DN 200 - 1400

06.02.2007

**Dimensions**

DN	L	D	D1	D2	s	h	H	h1	d1	h2	L1	Flange ISO5211
200	230	137,5	210,1	219,1	4,5	154	259	58	25	115	233	F10
250	250	187	263,0	273,0	5	193	298	63	30	125	385	F12
300	270	238	312,7	323,9	5,6	229	323	69	35	125	435	F12
350	290	286	365,0	377,0	6	255	352	75	40	125	465	F14
400	310	337	414,0	426,0	6	300	409	75	40	155	540	F14
500	350	437	516,0	530,0	7	351	470	86	50	163	660	F16
600	390	483	616,0	630,0	7	376	548	103	60	186	760	F16
700	430	582	704,0	720,0	8	440	601	119	70	186	860	F25
800	470	682	804,0	820,0	8	490	651	119	70	187	955	F30
900	510	775	902,0	920,0	9	575	718	125	90	200	1070	F30
1000	550	855	1000	1020	10	636	764	130	100	183	1200	F30
1200	630	1054	1195	1220	12,5	755	873	160	140	182	1440	F35
1400	710	1237	1392	1420	14	912	1018	180	170	206	1770	F40



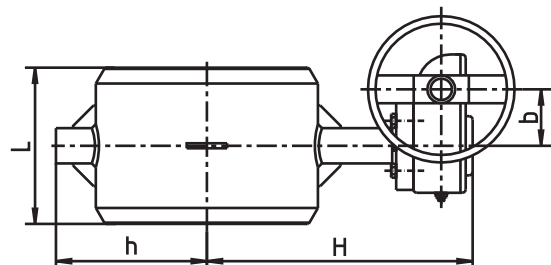
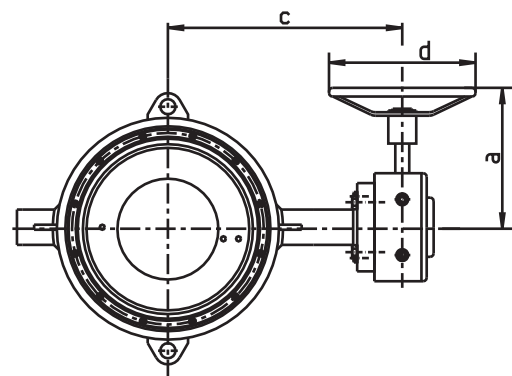
**Operation**

The butterfly valve is delivered with handlever, manual gear, electric, pneumatic or hydraulic actuator according to customer's needs.

**Manual gear**

Opening and closing of the valves from the handwheel. The position of disc can be seen on a position indicator on top of the gear.

DN	H	h	L	a	b	c	d	Weight kg
200	349	154	230	202	67	301	203	50
250	379	193	250	247	67	340	305	57
300	417	229	270	264	90	373	305	70
350	446	255	290	264	90	402	305	107
400	503	300	310	264	90	459	305	131
500	576	351	350	362	123	520	457	219
600	675	376	390	387	154	598	457	350
700	761	440	430	505	181	687	457	485
800	811	490	470	505	181	737	457	574
900	887	575	510	592	237	792	457	975
1000	942	636	550	615	431	807	500	1290
1200	1051	755	630	615	431	962	600	2480
1400	1218	912	710	755	450	1158	700	3210

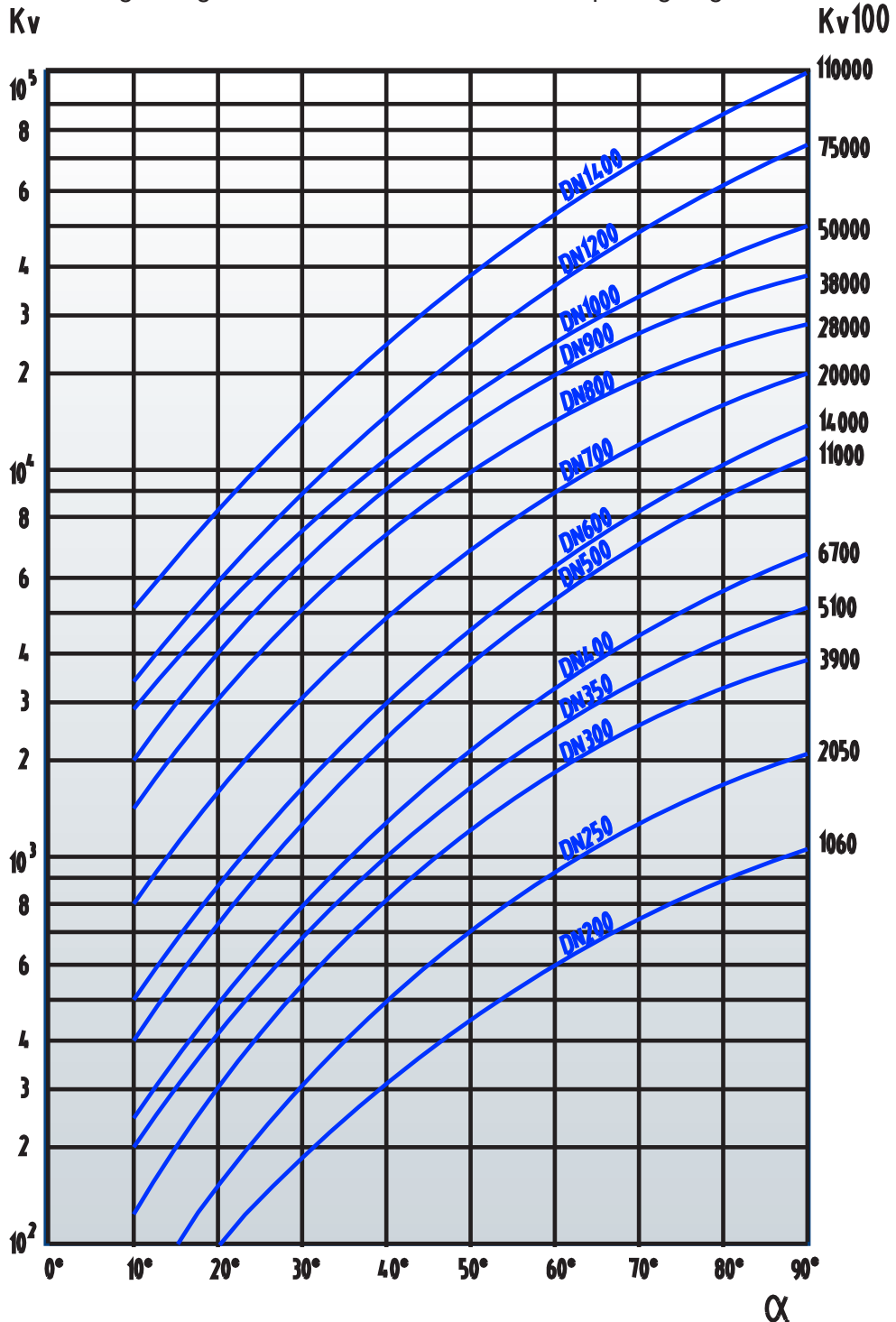


31300G5 Butterfly valve of carbon steel  
DN 200 - 1400

06.02.2007

The control curves

The curves indicate the regulating values of the valve at different opening angles.



**WATER:**

**Volume flow:**

$$Q = K_v \sqrt{\frac{\Delta p}{\rho}}$$

**Flow velocity:**

$$v = 354 \frac{Q}{DN^2}$$

$K_v$   
DN  
 $\alpha$   
Q  
 $\Delta p$   
 $\rho$   
v

= kv-value — Capacity factors  
= nominal valve size (mm)  
= disc opening angle  
= volume flow m<sup>3</sup>/h  
= pressure difference bar  
= density of liquid kg/dm<sup>3</sup>  
= flow velocity m/s